

HW # 1

SKEE 1043

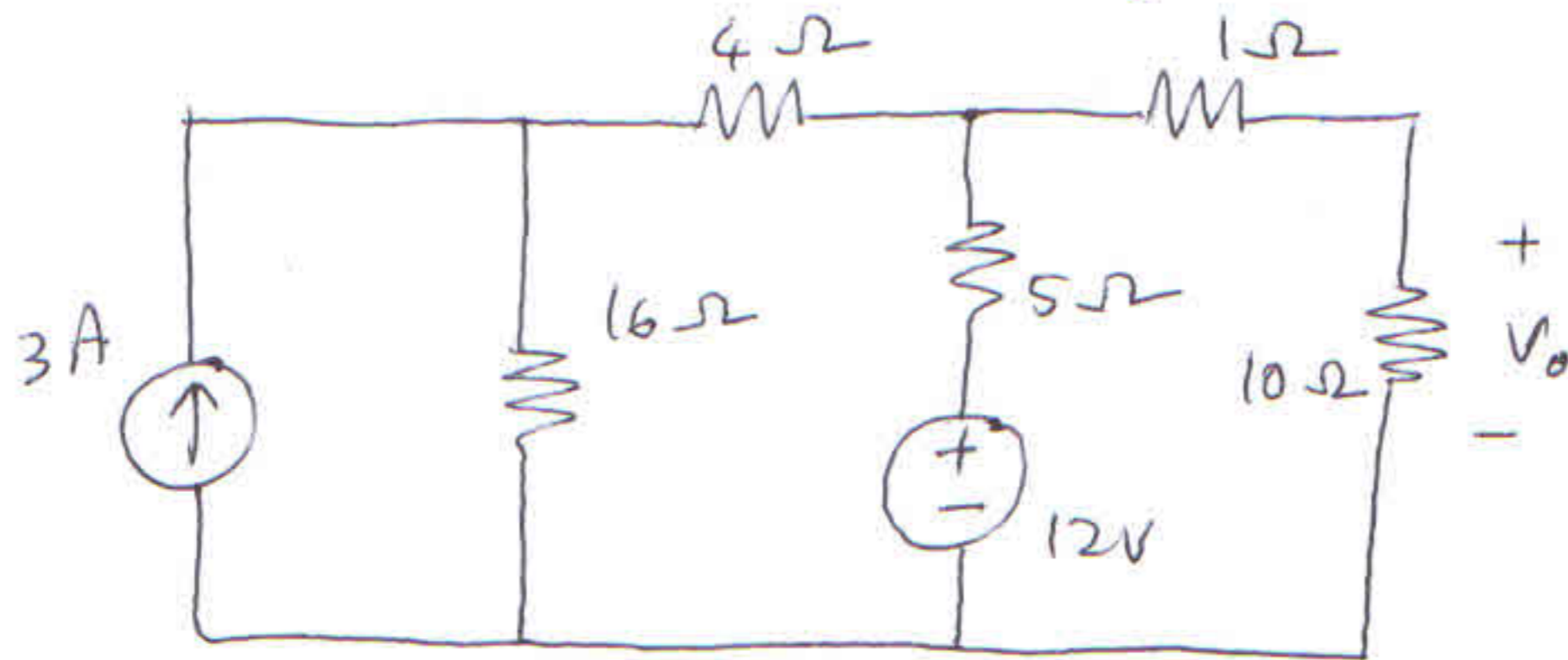
14 Feb 2012

Nik Rumzi Nik Idris

< Student matrices >

4.38

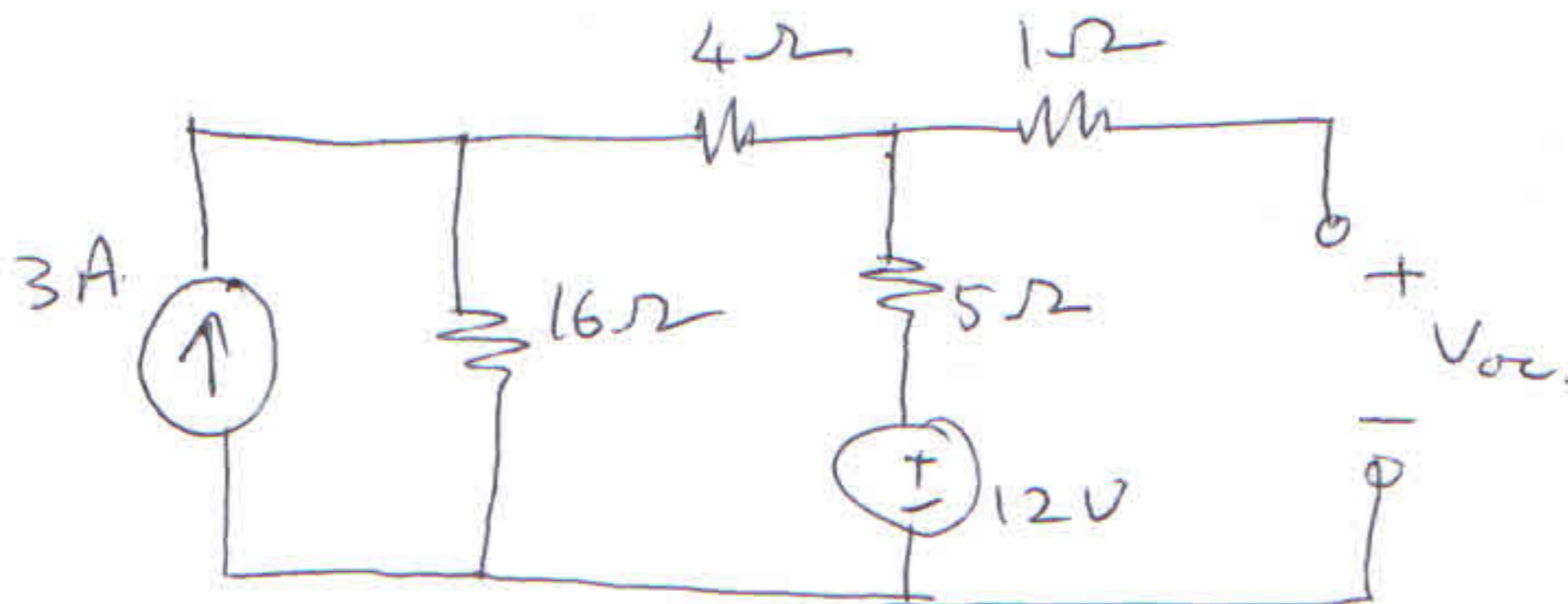
Apply Thevenin's Theorem to find V_o .



Solution:

We need to find Thevenin's equivalent circuit 'as seen' by the 10Ω resistor.

To find V_{Th} , find V_{oc} :



Using nodal analysis, V_{oc} can be evaluated: