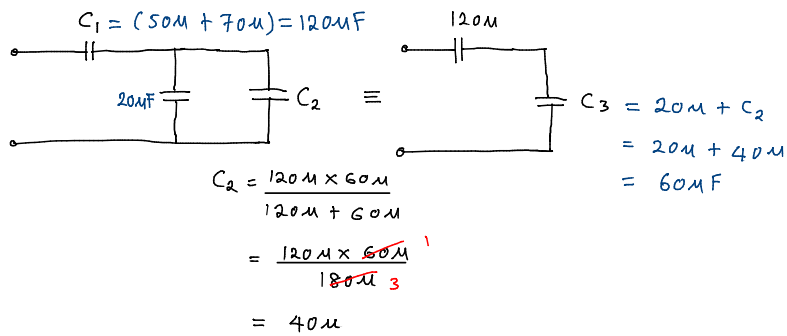
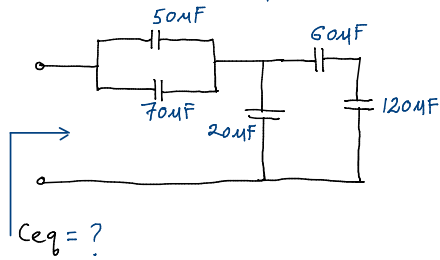


Example 3
 Lecture: 19/2/14



$C_{eq} = \frac{120\mu \times 60\mu}{120\mu + 60\mu} = \frac{120\mu \times \cancel{60\mu}^1}{180\mu \ 3}$
 $= 40\mu F \ \cancel{\times}$