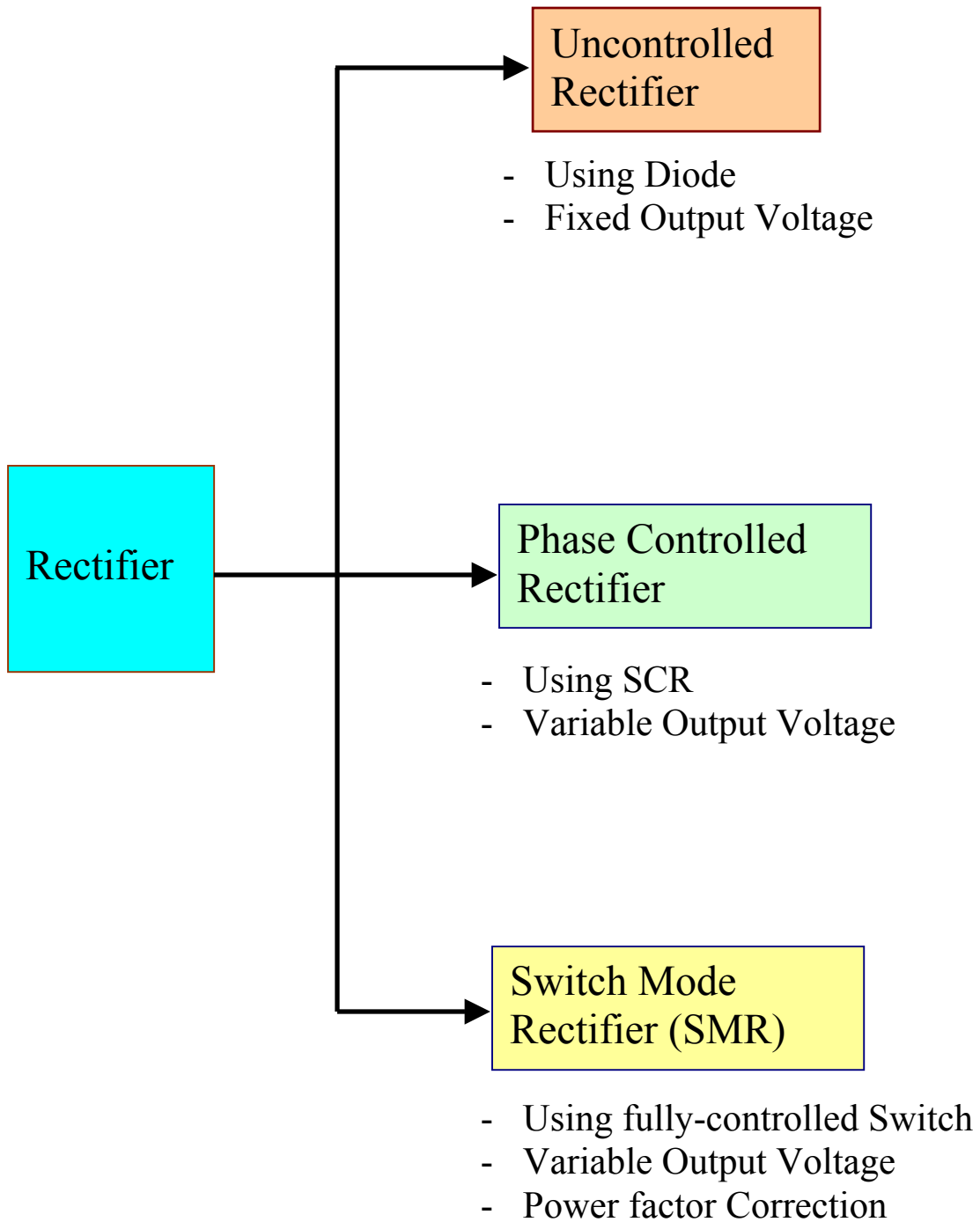


Types of Rectifier



Analytical Approach to Rectifier Circuits

Circuit Topology



Circuit Operation



Key Waveforms



Mathematical Descriptions



Performance Parameter Evaluations:

- (i) Average values (v , i , p)
- (ii) RMS values (v , i)
- (iii) Power factor
- (iv) Ripple, Crest, Form Factor (v , i)
- (v) Total harmonic Distortion (v , i)
- (vi) Switching Stress (Max. Voltage (PIV), Max. Current, Max. Power)
- (vii) Efficiency
- (viii) Harmonic Contents.