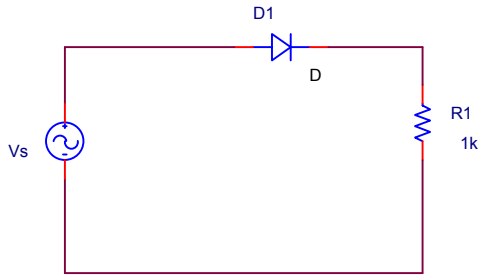
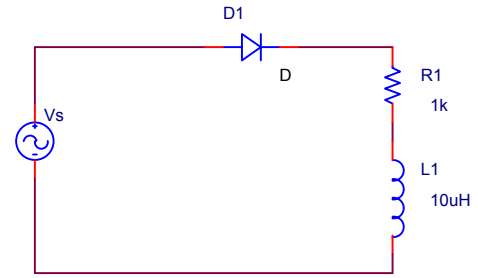


Rectifier Circuits for Assignment#1

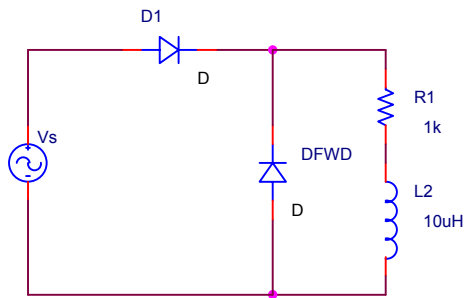
Diode Rectifier Circuits



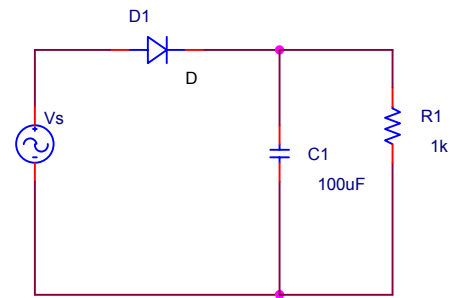
1. Half-Wave Rectifier with R Load



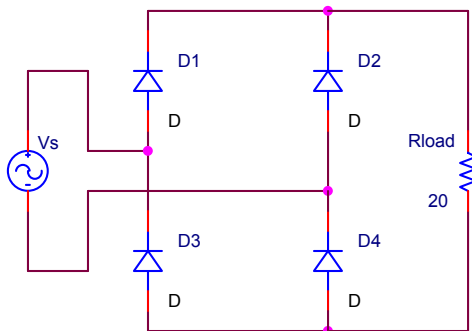
2. Half-Wave Rectifier with RL Load



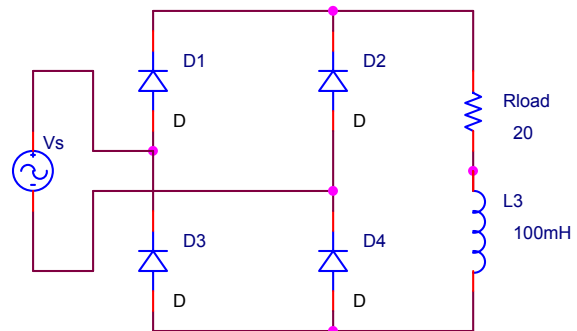
3. Half-Wave Rectifier with RL Load and FWD



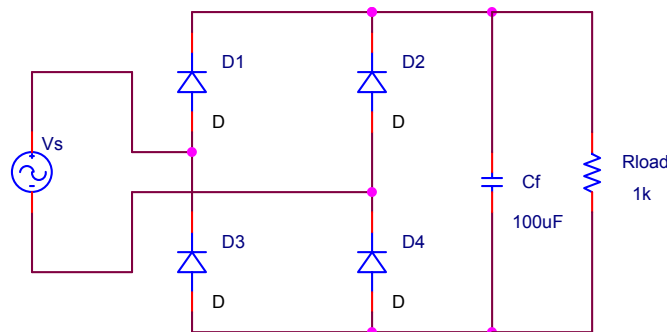
4. Half-Wave Rectifier with RC Load



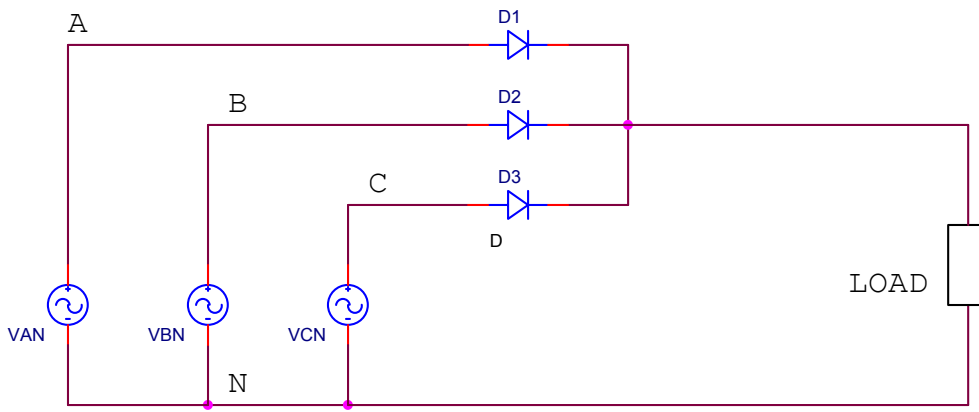
5. Full-Wave Rectifier with R Load



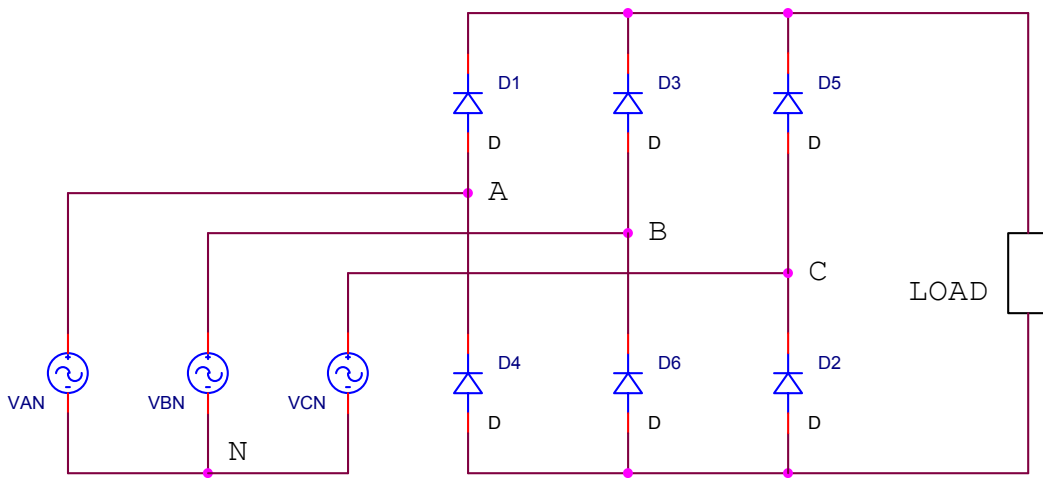
6. Full-Wave Rectifier with RL Load



7. Full-Wave Rectifier with RC Load

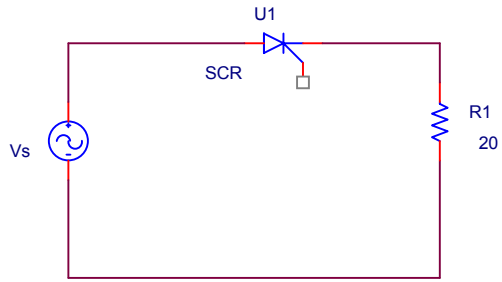


8. Three Phase Half-Wave Rectifier

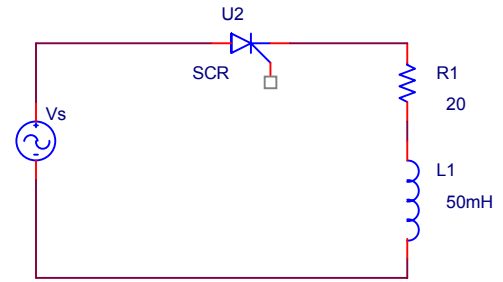


9. Three Phase Full-Wave Rectifier

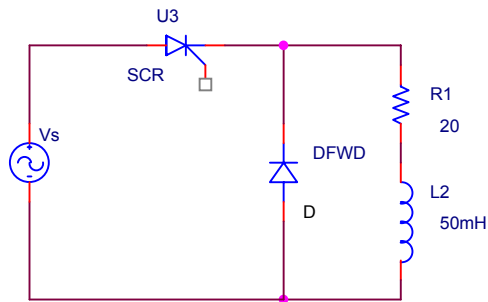
Phase-controlled Rectifier Circuits



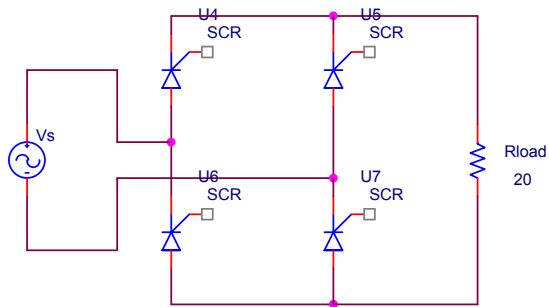
10. Half-Wave
Phase-controlled
Rectifier with R
Load



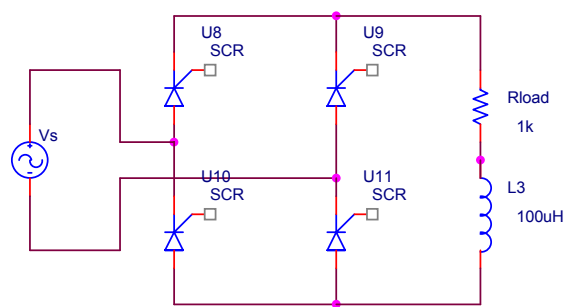
11. Half-Wave
Phase-controlled
Rectifier with
RL Load



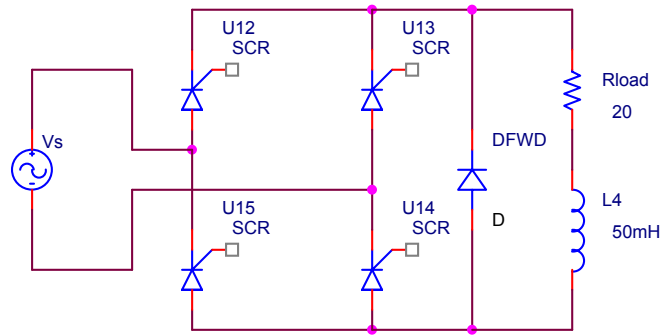
12. Half-Wave
Phase-controlled
Rectifier with RL Load
and FWD



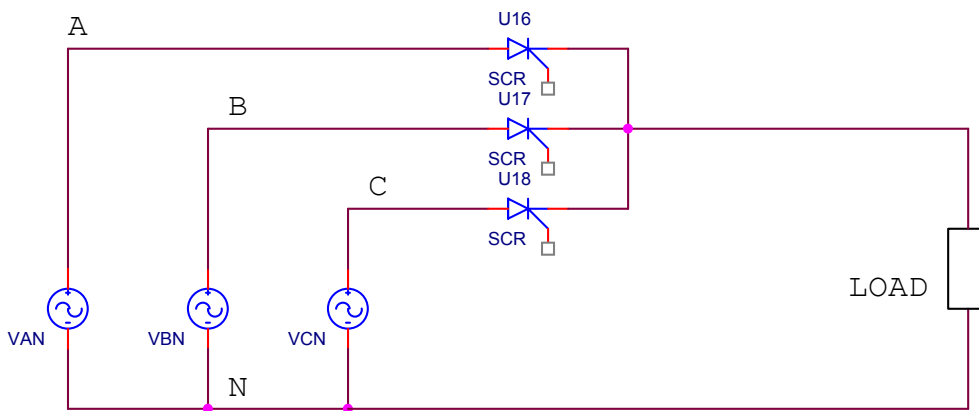
13. Full-Wave
Phase-controlled
Rectifier with R
Load



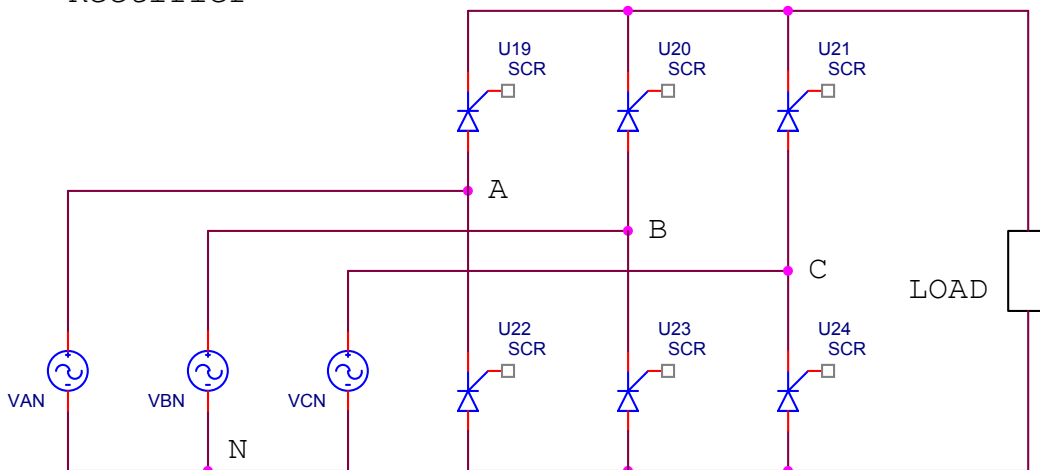
14. Full-Wave
Phase-controlled
Rectifier with
RL Load



15. Full-Wave
Phase-controlled
Rectifier with RL Load
and FWD



16. Three Phase Half-Wave
Phase-controlled
Rectifier



17. Three Phase Full-Wave
Phase-controlled
Rectifier